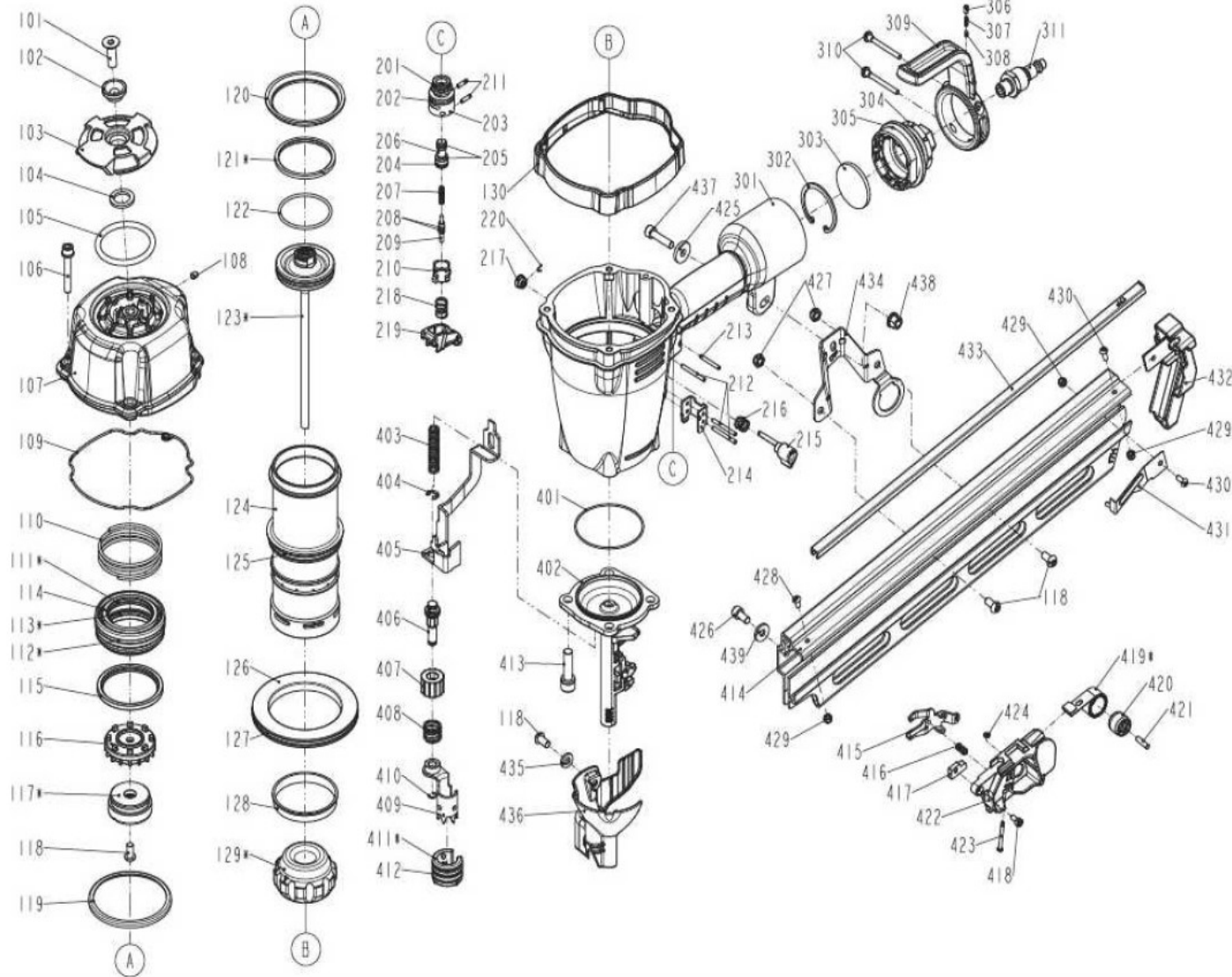


NAIL GUN ESSVE FN 17/90

Tool Partnr: 713148



Pos	Name	Art. Nr.	Pos	Name	Art. Nr.	Pos	Name	Art. Nr.	SERVICE KITS:
101	COUNTER SUNK SCREW	2040103050102	209	PLUNGER	871529	416	SPRING	1136F03747011	901071 Service kit
102	DEFLECTOR PAD	1136B03747011	210	TRIGGER VALVE HEAD	1137300847011	417	SQUARE UNITS	10001141	901075 Driver kit
103	DEFLECTOR	1137103747071	211	SPRING PIN	10001190	418	HEX.SOC.HD.BOLT	872188	901073 No mark set
104	RUBBER PAD	1135G03747011	212	SPRING PIN	10001047	419*	PUSHER SPRING	10004324	901079 Latch kit
105	MUFFLER ASSY	1132P03700021	213	SPRING PIN	10001046	420	ROLLING ELEMENT	1138603700021	901069 Trigger valve kit
106	BOLT ASSY	10003366	214	SAFETY GUIDE	10001094	421	ROLL PIN	10004319	901193 Trigger switch kit
107	CAP	10001137	215	LEVER, ACTUATION SELECTION	10004312	422	PROTECTING HOOD COVER	10001140	
108	HEX.SOC.HD.SCREW	10001371	216	SPRING	10004313	423	TRIGGER PIVOT PIN	10001223	
109	CYLINDER CAP SEAL	10004308	217	RETAINER, SELECTION LEVER	1131M03747011	424	URETHANE RETAINER	1131D04600011	
110	COMPRESSION SPRING	10001117	218	SPRING	1137603700011	425	FLAT WASHER	10001187	
111*	O - RING	10004320	219	TRIGGER ASSY	1122403700011	426	HEX.SOC.HD.BOLT	10001178	
112*	O - RING	10004321	220	RING	1131C03700011	427	LOCK NUT	10001194	
113*	O - RING	10004322	301	GUN BODY UNIT	10004314	428	HALF ROUND HD.HEX.BOLT	10001182	
114	HD.VALVE PISTON	10001134	302	C - RING	10001189	429	LOCK NUT	10001055	
115	COLLAR	10001174	303	FILTER	10001150	430	HALF ROUND HD.HEX.BOLT	10001183	
116	VALVE	10001144	304	END CAP	11346037A1031	431	NAIL STOP PLATE	10001074	
117*	SEAL	1137003700041	305	O - RING	2041108050400	432	PROTECTING HOOD COVER	10001160	
118	HALF ROUND HD.HEX.BOLT	10001184	306	HEX.SOC.HD.SCREW	2040104020200	433	STEEL CHANNEL	10001171	
119	PRESS RING	10001138	307	POSITIONING SPRING	1434700300011	434	POSITIONING SHEET	10001083	
120	PRESS RING	10001114	308	POSITIONING SHAFT	1136C00847011	435	FLAT WASHER	10001186	
121*	PISTON RING	874314	309	BELT HOOK	1133D03747031	436	SAFETY COVER	10001147	
122	O - RING	871123	310	SCREW	10000966	437	HEX.SOC.HD.BOLT	10001179	
123*	DRIVER UNIT	874718	311	AIR PLUG	10002926	438	BOLT CAP	10001195	
124	CYLINDER	10004309	401	O - RING	10004315	439	FLAT WASHER	10001188	
125	O - RING	872121	402	NOSE PIECE	10001152				
126	CYLINDER SPACER	10001077	403	SAFETY SPRING	872128				
127	O - RING	10004310	404	E - RING	10004316				
128	CYLINDER RING	1132203700021	405	SAFETY B	10001091				
129*	BUMPER	1132703700014	406	ADJUST ROD UNIT	10001070				
130	PROTECTIVE CUSHION	10004311	407	ADJUST AXIE	10001166				
201	O - RING	871521	408	WORKPIECE CONTACT SPRING B	10001158				
202	O - RING	871523	409	SAFETY A	10001089				
203	PLUNGER CAP	871522	410	RING	10001076				
204	O - RING	871526	411*	PROTECTIVE CASING	901073 (3 PCS)				
205	O - RING	871524	412	FIXED RING	874763				
206	VALVE PLUNGER	871525	413	BOLT ASSY	10004317				
207	SPRING	871527	414	MAGAZINE A	10001154				
208	O - RING	10001061	415	PUSHER	10004318				

